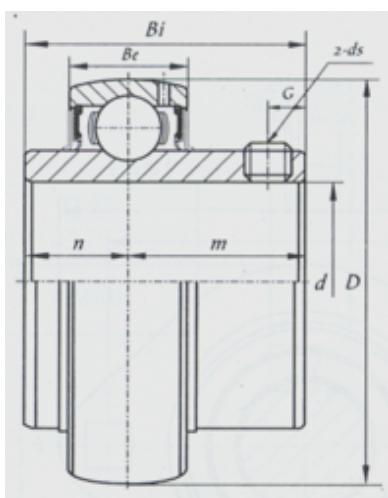


Insert Bearing

UC300 Series-UC315-48



Bearing No.	<b>UC315-48</b>
d	
(mm)	76.2
(in.)	<b>3</b>
Dimensions [mm]	
D	160
Bi	82
Be	42
n	32
m	50
G	14
ds	9/16-18UNF

HEBEI HUANSHENG BEARING CO., LTD-Tel:+86-0319-8541203-Email:hbhs@hbhsbearing.com-  
www.hbhsbearing.com